



IT200 and IT400 - 5G Product Range

Single Pole High Current Contactors

As 5G technology advances and more demand is put on the infrastructure that supports it, Albright has developed 5G products tailored to the needs of this market. They can be configured to conform to 1U size profiles.

Albright has over 70 years' experience of designing contactors for the most demanding applications and have been principle designers for contactors used in the Telecom and Power Distribution markets.



- IT200 - 200A Continuous
- IT400 - 400A Continuous

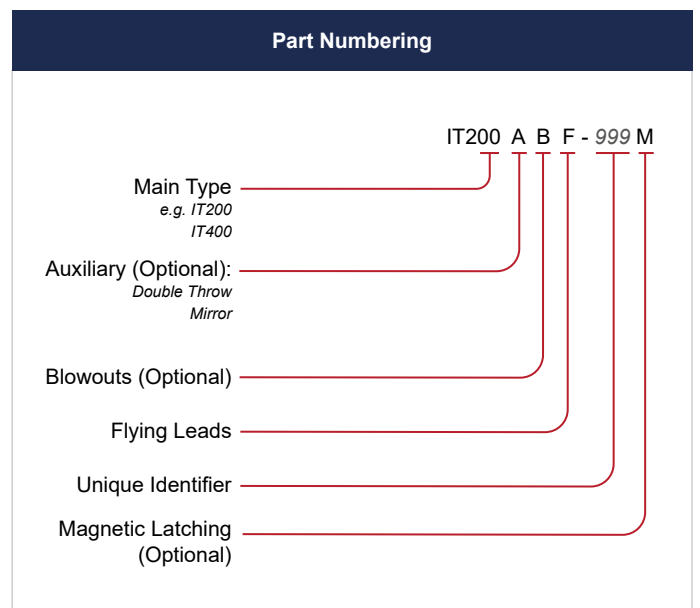
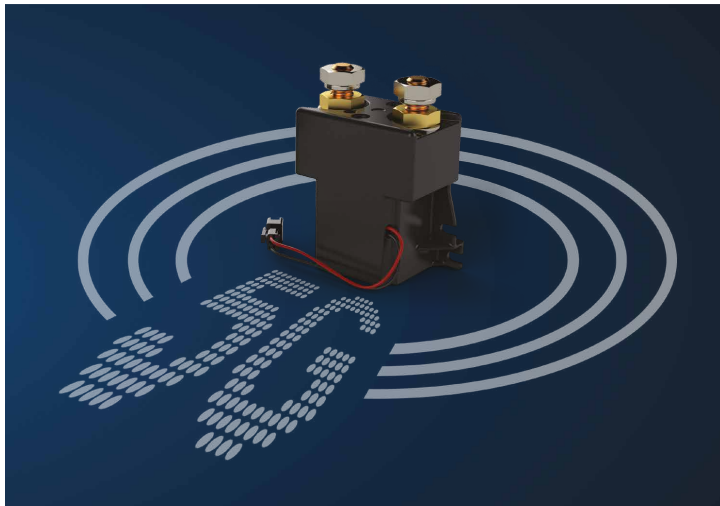
- Bracket options
- Auxiliary options
- 1U Profile
- Up to 96 Volts
- Variety of Coil Voltages



5G Contactors

IT200 200 Amps
IT400 400 Amps

Part Numbering



IT200

Developed for the 1U market, rated at 200A Continuous. This product was designed and developed by Albright for compact Communication Power Systems. A proven long-standing product that has been used in the market for a significant period.

IT400

An extension to our 1U range, rated at 400 Amps - this product shares the requirements of conforming to a 1U fitment but also has a height that allows it to fit within a 2U constraint. Developed exclusively for 5G Communication System Power.

All 5G solutions have been designed and developed by Albright specifically for the demands of high power and reduced footprint.

IT200 200 Amps
IT400 400 Amps

Specification

Application	IT200	IT200B	IT400
Thermal Current Rating (I_{th})	200A	200A	400A
Intermittent Current Rating:			
30% Duty		365A	730A
40% Duty		315A	630A
50% Duty		280A	565A
60% Duty		260A	515A
70% Duty		240A	480A
Rated Fault Current Breaking Capacity (I_{cn}) Resistive Load (in accordance with UL508*):			
	300A at 60V D.C.	300A at 96V D.C.	600A at 60V D.C.
Maximum Recommended Contact Voltages (U_{θ}):			
	60V D.C.	96V D.C.	60V D.C.
Typical Voltage Drop per pole across New Contacts		40mV	60mV
Mechanical Durability		>3 x 10 ⁶ Cycles	
Electrical Durability		>6 x 10 ³ Cycles [†]	
Coil Voltage Available (U_S)		From 6 to 240V A.C./D.C.	
Coil Power Dissipation:			
Highly Intermittent Rated Types		20 - 30 Watts	
Intermittently Rated types		15 - 20 Watts	
Prolonged Rated Types		13 - 15 Watts	
Continuously Rated Types		7 - 13 Watts	
Maximum Pull-In Voltage (Coil at 20° C) Guideline:			
Highly Intermittent Rated types (Max 25% Duty Cycle)		60% U_S	
Intermittently Rated types (Max 70% Duty Cycle)		60% U_S	
Prolonged Operation (Max 90% Duty Cycle)		60% U_S	
Continuously Rated Types (100% Duty Cycle)		66% U_S	
Drop-Out Voltage Range		10 - 25% U_S	
Typical Pull-In Time		20ms	26ms
Typical Drop-Out Time (N/O Contacts to Open):			
Without Suppression		5ms	13ms
With Diode Suppression		50ms	
With Diode and Resistor (Subject to resistance value)		8 - 20ms	
Typical Contact Bounce Period		3ms	
Operating Ambient Temperature		- 40° C to + 70° C	
Guideline Contactor Weight:			
	350 gms	400 gms	470 gms
With Auxiliary		+ 20 gms	
Note: Where applicable values shown are at 20° C			
* Please check our web site for product UL status			
† Please check with Albright Technical for CCC Status			

Auxiliary Details	
Auxiliary Thermal Current Rating	5A
Auxiliary Contact Switching Capacities (Resistive)	
	5A at 24V D.C.
	2A at 48V D.C.
	0.5A at 240V D.C.

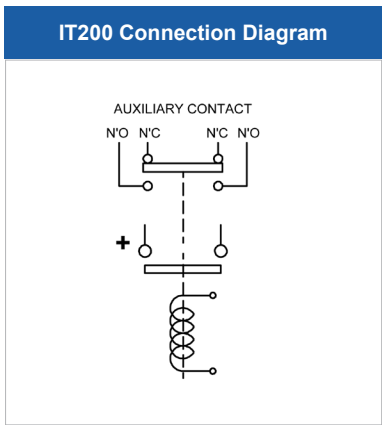
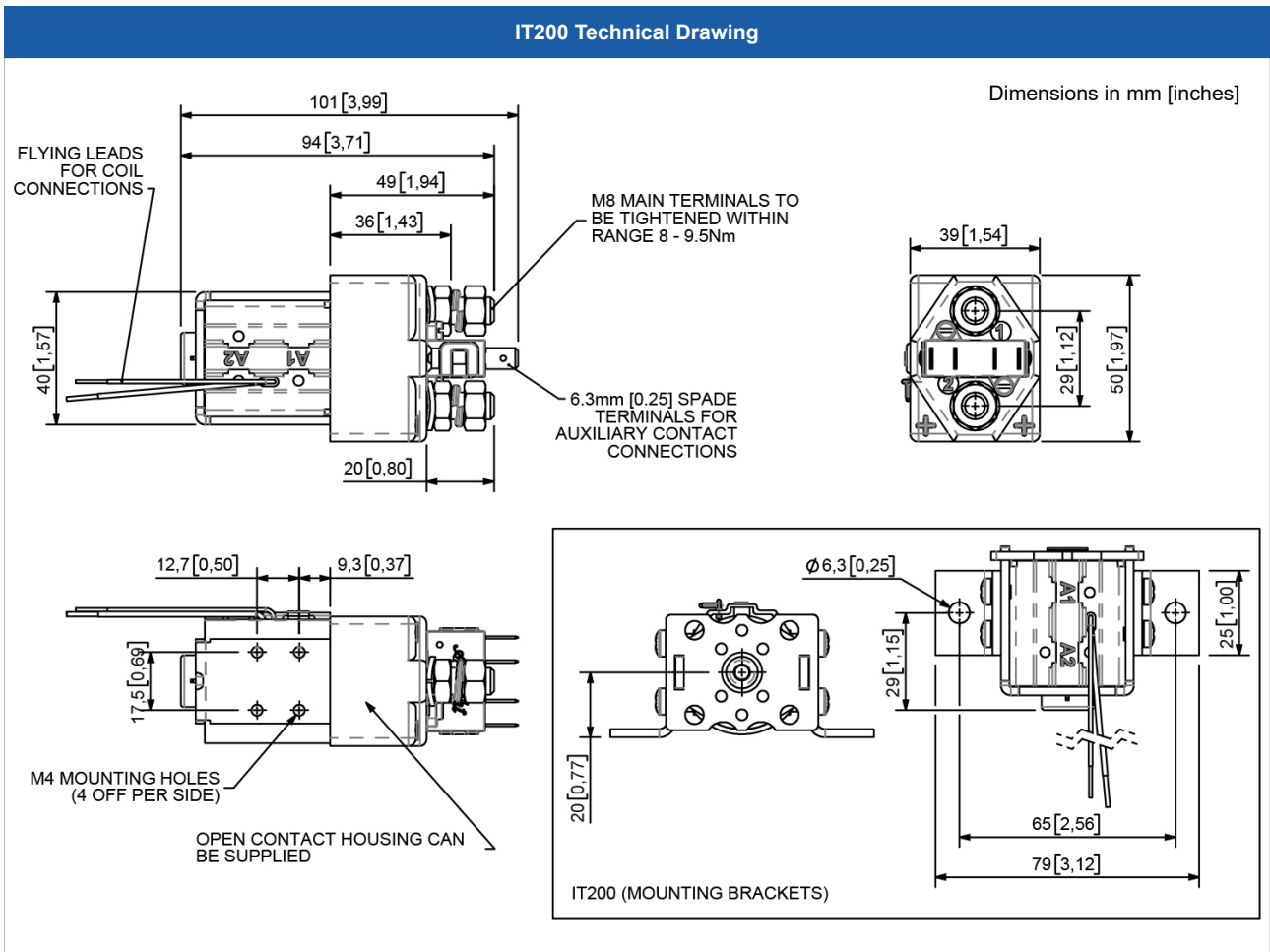
Fixing	
Main Terminals	Torque
IT200 - M8 Male	8.0 - 9.5Nm
IT400 - M10 Male	13.4 - 14.6Nm
Mounting	
IT200 - Tapped holes	1.9 - 2.1Nm
IT200 - Brackets	1.9 - 2.1Nm
IT400 - Brackets	1.9 - 2.1Nm



5G Contactors

IT200 200 Amps

Drawings



IT200 200 Amps
 IT400 400 Amps
 Brackets

IT200 Bracket Options

IT200 1U Mounting Kits				IT200 Standard Mounting Kits		
1U Bracket Kit		'L' Shaped Bracket kit		Top Hat Bracket Kit	Integral Bracket	Din Rail Bracket Kit

NOTE: Selection of these options will prevent 1U fitment

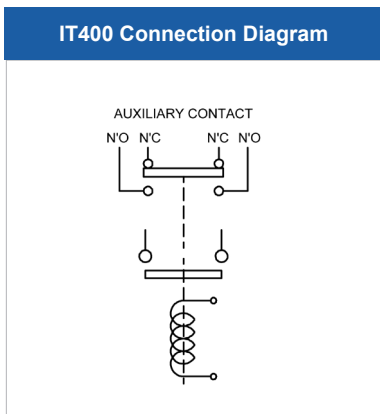
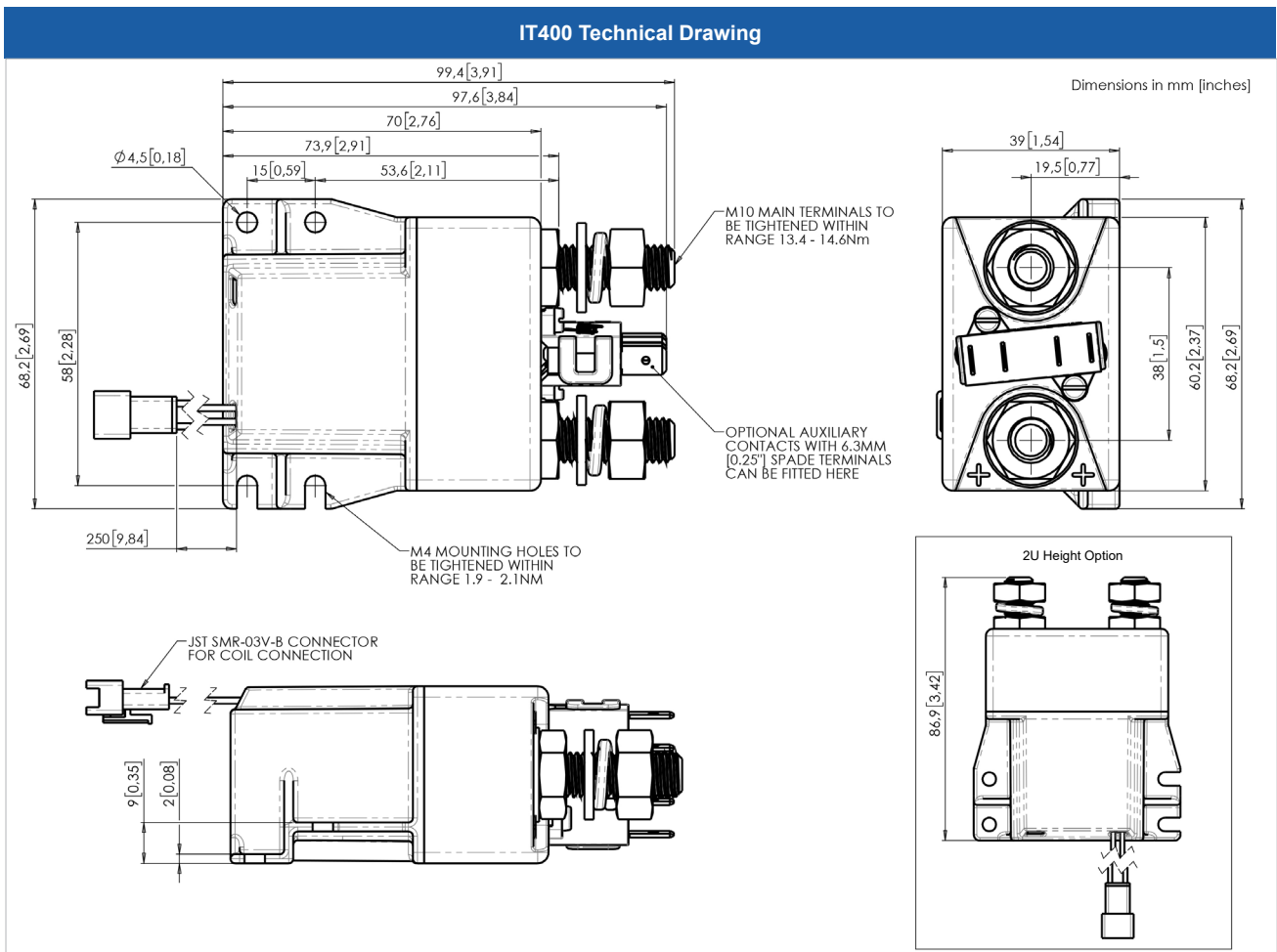
IT200 Bracket Dimensions

	1U Bracket Kit		Top Hat Bracket Kit		Integral Bracket		DIN Bracket Kit		'L' Shape Bracket Kit	
	Part 2071-859		Part 2126-48A		Part assigned with contactor		Part 2071-428		Part 2070-40	
	mm	inches	mm	inches	mm	inches	mm	inches	mm	inches
A	29	1.15	26.3	1.04	29	1.14	11.0	0.43	47	1.85
B	65	2.56	44.3	1.74	38.1	1.50	38	1.50	15.1	0.59
C	79	3.12	57	2.24	55	2.17	-	-	25.4	1.00
D	25.4	1.00	22.2	0.87	24	0.94	-	-	32.4	1.28
E	6.3	0.25	5.2	0.20	6.0	0.24	-	-	Ø5.5	Ø0.22
F	20	0.77	9.4	0.37	31	1.22	-	-	39.5	1.56

5G Contactors



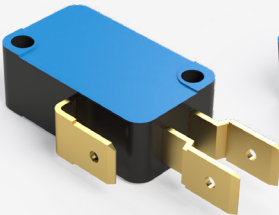

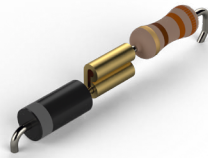







IT400 400 Amps

Drawings



IT200 200 Amps
 IT400 400 Amps
 Options

Available Options

Component	Configurations		
Auxiliary	 Standard	 Standard Gold	<p>NOTE: Selection of these options will prevent 1U fitment</p>  V3
Coil Suppression	 Diode	 Diode and Resistor	 Bi- Directional Diode
Coil Finish	 Shroud (IT200 Only)	 Bottom Cover (IT400 Only)	 Vaccum Impregnation
Coil Wire Termination	 Tinned Wires	 4510M0210	 SMR-03V-B

5G Contactors



IT200 200 Amps
IT400 400 Amps

Other 1U Products

Further Albright 1U contactors include our PC Series (PC60, PC61, PC63 and PC100), the SW60, SU60, SW80, RW80, SU80 and RU80 types and the Busbar Contactor types SW140, SW225 and SW301.

Contactor	Rating	
<p>PC Range</p> <p>Designed for mounting on PCB</p>	Up to 100A	
<p>Stud Range</p> <p>Conventional stud design, suited for mounting via Cable or Busbar</p>	Up to 400A	
<p>Busbar Range</p> <p>Suited for connection to Busbars</p>	Up to 300A	

For further information visit our 1U Product Section on our website:

